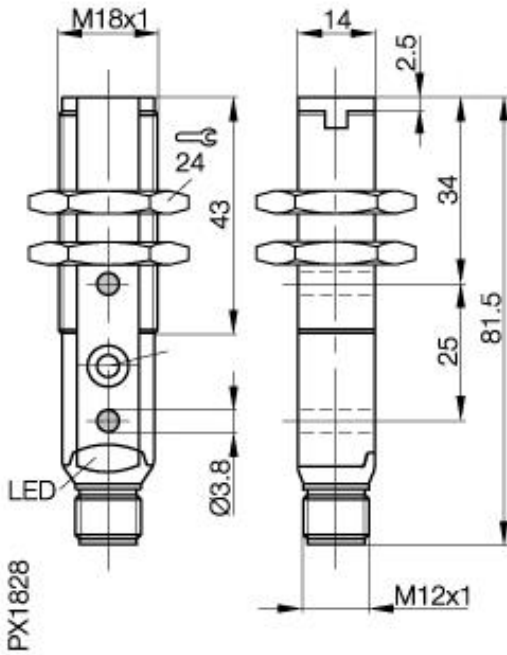


Photoelectric Sensor
BKT 18KF-001-N-S4
Sn=10mm
Contrast sensor



Common Data

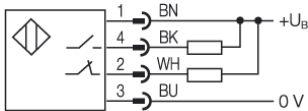
| | |
|-------------------------------------|---------------------------|
| Series | BKT |
| Sensortype | Contrast sensor |
| Switching frequency | 5000 Hz |
| Rated operating distance Sn in mm | 10 |
| asured operating distance Sa | 10 ±2 |
| Indication Supply Voltage | yes, green LED |
| Indication Switching element on | yes, yellow LED |
| Indication Special funktion | wrong adjustment, LED red |
| Ambient temperature | -25...+55°C |
| Light | LED white |
| Wavelength / Laser protection class | 400...700 nm |
| Sensitivity Adjustment | Teach in |
| Permissable ambient light | acc.. EN 60947-5-2 |
| Output function | light-on or dark-on |

Mechanical Data

| | |
|--------------------------|--------------------|
| Measurements | M18x81,5 |
| Housing material | PBT |
| Material of sensing face | PMMA |
| Degree of protection | IP67 |
| Connection | Connector S4 (M12) |
| Weigth | 25g |
| Recommended connector | BKS-S20-9 |

Electrical Data

| | |
|-------------------------------------|-------------|
| Current | DC |
| Switching function | NO/NC |
| Output | NPN |
| Rated operational voltage Ue | 24 DC |
| Rated operational current Ie | <100mA |
| Supply Voltage | 10...30V DC |
| Frequency of Supply Voltage | DC |
| No-load supply current | ≤ 25mA |
| Voltage drop | <2V |
| Short protection | yes |
| Protected against polarity reversal | yes |



Utilization categories
 Insulation class

Datasheet number:

Definitions see general catalog.
 If not otherwise noted, ratings according to
 IEC 60947-5-2 (DIN EN60947-5-2)

Balluff GmbH
 Schurwaldstrasse 9
 73765 Neuhausen a.d.F.
 Phone (07158) 173-0 Fax (07158) 5010

Datenblatt by CD-ROM - 04/2007

BALLUFF
 sensors worldwide